

## IP-2DM-F28/F36-DB

2MP HD IR Fixed Dome Network Camera



## Features

- 2MP Fix Mini Vandal proof Dome IP Camera
- 1/2.8" Progressive CMOS, WDR, MIC, MicSD(Up to 256GB), Metal

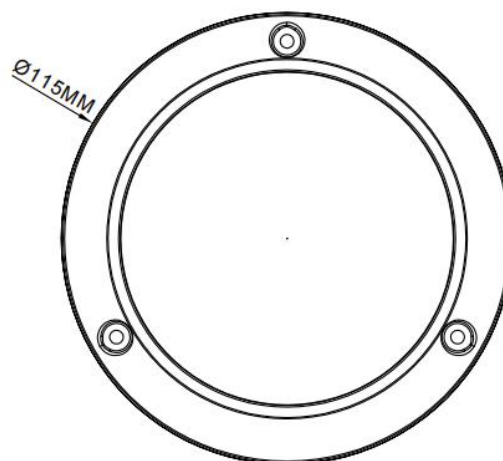
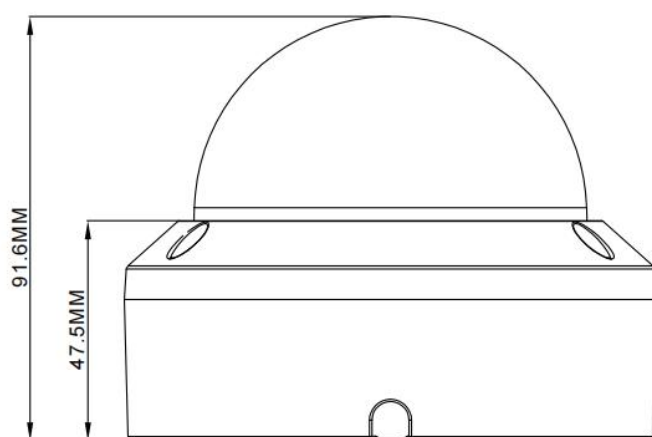
## Specifications

Video	
Imaging Device	1/2.8"
Effective Pixels	2MP 1920(H)×1080(V)
Scanning System	Progressive CMOS
Min. Illumination	Color 0.1lux @ F1.2(AGC ON) ; B/W 0 lux @ IR ON
Lens Type	
Focal Length (Zoom Ratio)	2.8mm
Max. Aperture Ratio	F No. 1.6

Angular Field of View	Horizontal: 105°, Vertical:55°, Diagonal: 126°
Min. Object Distance	1.8M
Lens Type	Fixed(M12)
Operational	
IR Viewable Length	Up to 20m
Camera Title	On/Off
Day & Night	IR cut filter with auto switch (Day/Night/Auto/Schedule)
Backlight Compensation	Off/On (5 Zone)
Wide Dynamic Range	WDR
Digital Noise Reduction	3D DNR
Motion Detection	Off/On (8 Level)
Privacy Masking	Off/On (4 Zone, Rectangle)
Gain Control	Auto
White Balance	Auto/Manual
Electronic Shutter Speed	1/5 ~ 1/20000s
Mirror	Flip/Rotation
On-Board Storage	Micro SD slot, up to 256GB
Alarm	NA
Audio	Built-in microphone
Hardware Reset	Yes
Smart Feature	NA
Network	
Ethernet	RJ45(10/100BASE-T)
Video Compression Format	H.265/H.264
Resolution	<b>Mainstream</b> 1080P(1920x1080),960P(1280x960),720P(1280x720) <b>Substream</b> 720P(1280x720),VGA(640x480),QVGA(320x240) <b>Mobilestream</b> VGA(640x480), QVGA (320x240)
Video Quality Ajustment	8Kbps ~ 8Mbps
Bitrate control method	CBR/VBR
Streaming Capability	Triple-Stream(Main/Sub/Moile)

Protocol	TCP/IP,HTTP,DHCP,DNS,DDNS,RTP/RTSP, SMTP,NTP,UPnP,SNMP,HTTPS,FTP
Security	IP address filter;complicated password;Authenticated username and password
Streaming Method	Unicast/Multicast
Application Programming Interface	ONVIF( Profile S/G/T)
<b>Environmental</b>	
Operating Conditions	-30 ~ +55°C/less than ≤ 95% RH
Storage Conditions	-30 ~ +60°C/less than ≤ 95% RH
Ingress Protection	IP66
<b>Electrical</b>	
Input Voltage / Current	D12V/POE(IEEE802.3af)
Power Consumption(IR OFF)	2W/3W
Power Consumption(IR OFF)	3.5/5W
<b>Mechanical</b>	
Material	Metal

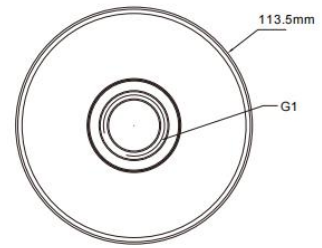
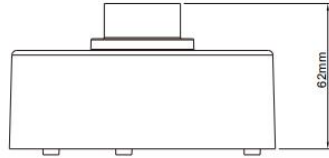
## Dimensions



Accessories



CH115D-R



CH115B-R

